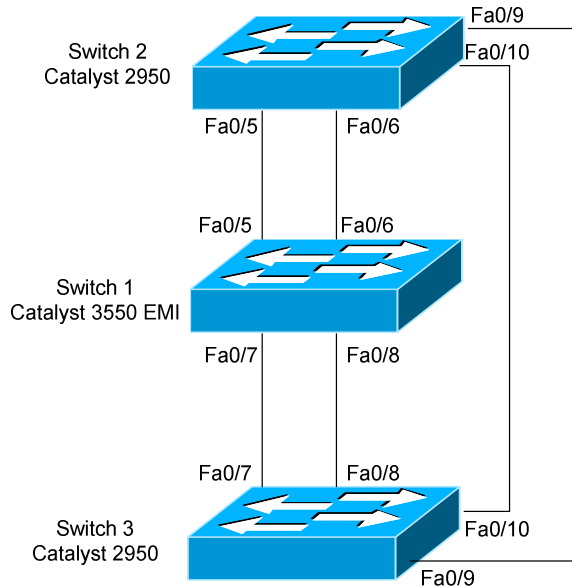


## - Switch Port Configuration Lab -

### Configuring Switch Ports – Lab



### Basic Objectives:

1. Configure and cable the Ethernet interfaces as indicated in the above diagram.

### Switch Port Objectives:

2. View the full CAM Table on your assigned switch. What command did you use?

---

---

3. View only the dynamic entries in the CAM. What command did you use?

---

---

4. Add a static MAC address entry in the CAM for port fa0/10. Did it work? Why or why not? What command did you use?

---

---

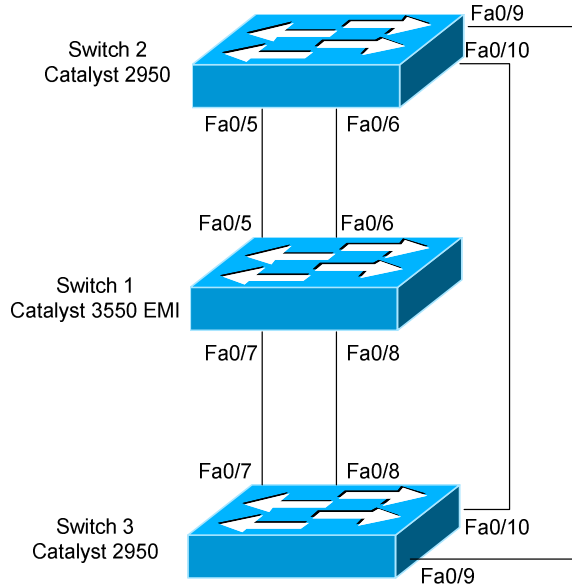
---

\* \* \*

All original material copyright © 2006 by Aaron Balchunas ([aaron@routeralley.com](mailto:aaron@routeralley.com)), unless otherwise noted. All other material copyright © of their respective owners.

This material may be copied and used freely, but may not be altered or sold without the expressed written consent of the owner of the above copyright. Updated material may be found at <http://www.routeralley.com>.

**Configuring Switch Ports – Lab (continued)**



**Switch Port Objectives:**

5. Remove that static entry. What command did you use?

---

---

---

6. Create an access-list to be merged into the TCAM. What command did you use, and how do you merge it?

---

---

---

7. View the number of MAC addresses in use on your switch. What command did you use?

---

---

---

8. Configure your switch for telnet access. What commands did you use?

---

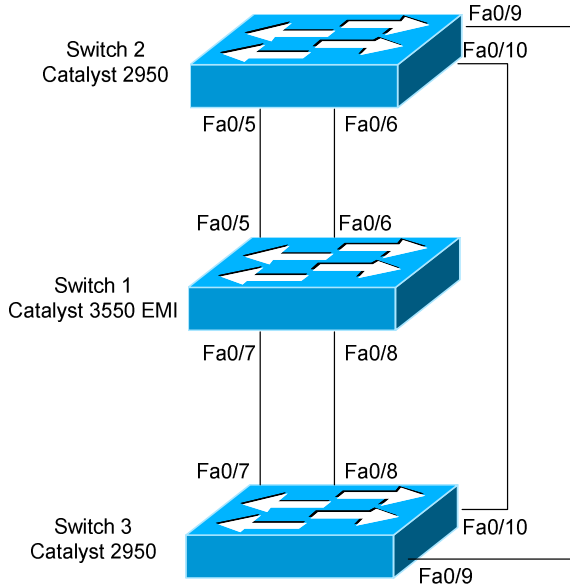
---

---

---

\* \* \*

**Configuring Switch Ports – Lab (continued)**



**Switch Port Objectives:**

9. View the contents of Flash. What command did you use? What is the name of the IOS image file?

---

---

---

10. View the Startup Configuration file. What command did you use? How would you view the configuration excluding any lines with the word “Ethernet”?

---

---

---

11. What command would you use to configure ports fa0/2, fa0/5, and fa0/6 simultaneously?

---

---

12. What command would you use to configure ports fa0/2 through fa0/8 simultaneously?

---

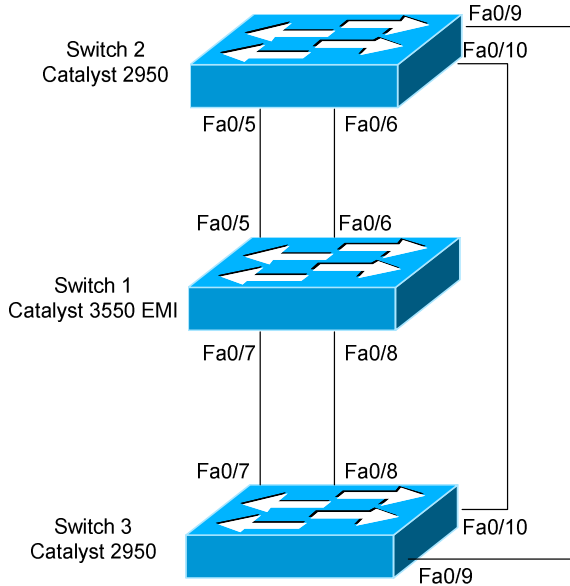
---

\* \* \*

All original material copyright © 2006 by Aaron Balchunas ([aaron@routeralley.com](mailto:aaron@routeralley.com)), unless otherwise noted. All other material copyright © of their respective owners.

This material may be copied and used freely, but may not be altered or sold without the expressed written consent of the owner of the above copyright. Updated material may be found at <http://www.routeralley.com>.

**Configuring Switch Ports – Lab (continued)**



**Switch Port Objectives:**

13. What commands would you use to set the speed and duplex on a port?

---

---

---

---

---

14. How can you enable all possible errdisable states for your switch's ports? What commands would you use to allow all errdisable states to auto-recover after 30 seconds?

---

---

---

---

---

\* \* \*